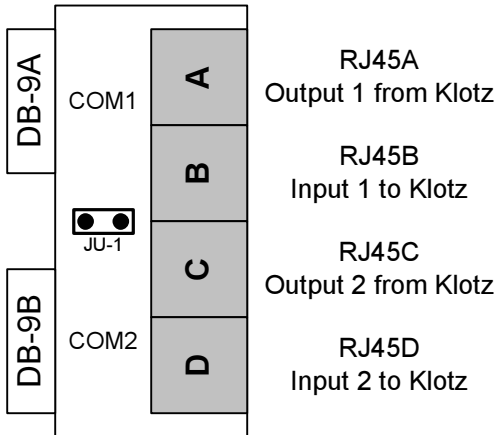


# P/N 12725

Configuration: DB 9 Male to Quad RJ-45

## Type BC

Application: Klotz Dual Data I/O Card (Type 1)



<u>DB9 A</u>	<u>Function</u>	<u>RJ-45</u>	<u>Function</u>
5	Com1 G	3A	Gnd
3	Com1 TxD	5A	RxD
5	Com1 G	3B	Gnd
2	Com1 RxD	4B	TxD
<u>DB9 B</u>	<u>Function</u>	<u>RJ-45</u>	<u>Function</u>
5	Com2 G	3C	Gnd
3	Com2 TxD	5C	RxD
5	Com2 G	3D	Gnd
2	Com2 RxD	4D	TxD

Note: Install JU-1 to connect RJ-45 shield to data ground



*The Studio Wiring Solution from*

**radio**  
SYSTEMS

601 Heron Drive · Logan Township, NJ 08085  
856/467-8000 · 856/467-3044 Fax · sales@radiosystems.com  
www.radiosystems.com · www.studiohub.com

### Hub Pin Outs

<u>Channel</u>	<u>Color Pair</u>	<u>RJ-45 Pin</u>	<u>110 Pin</u>
L+ / AES +	Wht/Org	1	3
L- / AES -	Org/Wht	2	4
R+	Wht/Grn	3	5
R-	Grn/Wht	6	6
nc	Wht/Blu	5	1
GND	Blu/Wht	4	2
15V-	Wht/Brn	7	7
15V+	Brn/Wht	8	8
Shield	Wht/Slt	Shield	9
Shield	Slt/Wht	Shield	10