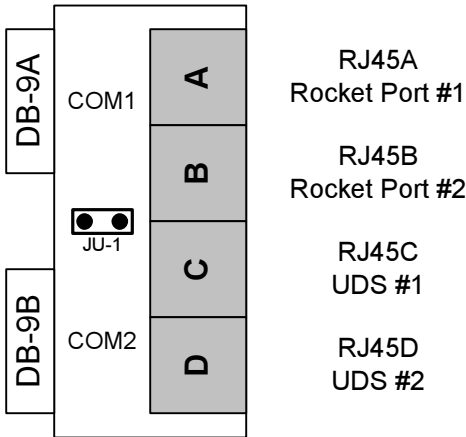


P/N 12787

Configuration: DB 9 Male to Quad RJ-45

Type BI

Application: Klotz Dual Data I/O Card (Type 2)



<u>DB-9's</u>	<u>Function</u>	<u>Rocket Port RJ-45's</u>	<u>UDS RJ-45's</u>
5	Ground	3	Case (Shield)
3	TxD	4	3
2	RxD	5	1
<u>Tied Together on DB-9's</u>			
4/6 - DSR/DTR			
1/7/8 - DCD/CTS/RTS			

Note: Install JU-1 to connect RJ-45 shield to data ground



The Studio Wiring Solution from



601 Heron Drive · Logan Township, NJ 08085
 856/467-8000 · 856/467-3044 Fax · sales@radiosystems.com
 www.radiosystems.com · www.studiohub.com

Hub Pin Outs

<u>Channel</u>	<u>Color Pair</u>	<u>RJ-45 Pin</u>	<u>110 Pin</u>
L+ / AES +	Wht/Org	1	3
L- / AES -	Org/Wht	2	4
R+	Wht/Grn	3	5
R-	Grn/Wht	6	6
nc	Wht/Blu	5	1
GND	Blu/Wht	4	2
15V-	Wht/Brn	7	7
15V+	Brn/Wht	8	8
Shield	Wht/Slt	Shield	9
Shield	Slt/Wht	Shield	10