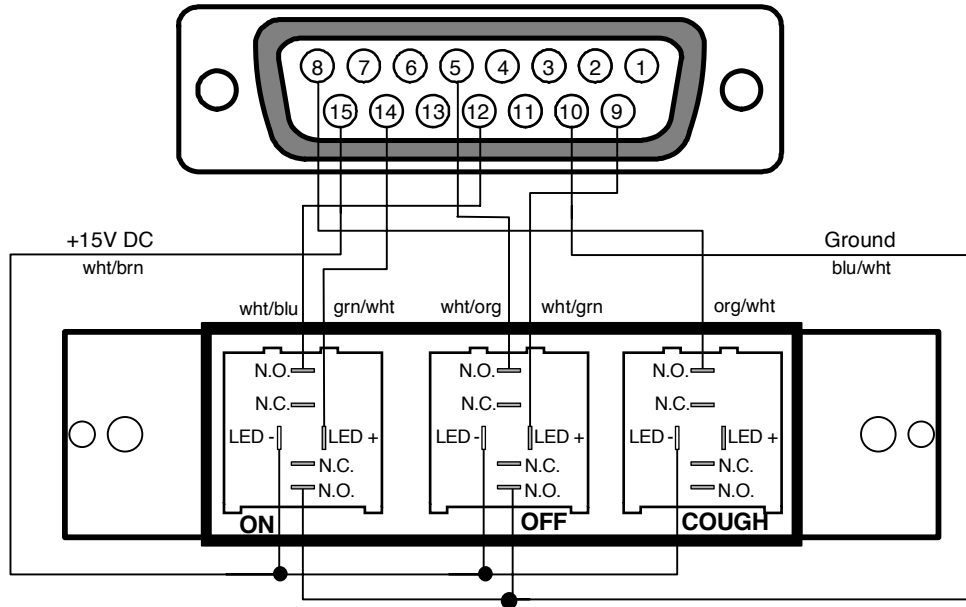


Radio Systems Millenium Remote Control Wiring for SH-3BUT Mic On/Off/Cough (A input only shown)

Hard-Wiring Diagram for SH-3BUT version

RJ-45 PIN # (Color)	"D" PIN #	Function	Input/Output	Signal
1 (wht/org)	5	Channel Off Control - Input A	Input	Active when pulled to ground
2 (org/wht)	8	Cough	Input	DC
3 (wht/grn)	9	Off Lamp	Lamps	DC
4 (blu/wht)	10	Ground		Ground
5 (wht/blu)	12	Channel On Control - Input A	Input	Active when pulled to ground
6 (grn/wht)	14	On lamp	Lamps	DC
7 (wht/brn)	15	+15V DC	Power	DC



Model SH-3BUT 3 Push Button Plate with 15V LED shown
Also available – Model SH-3BUTRC with RJ-45 connector

RJ-45 Adapter Diagram for SH-3BUTRJ version

USE - RJ-45 Remote Adapter RS part# 14531

Use for CAT-5 / RJ-45 patch cord connectivity between SH-3BUTRC (RJ-45 push-button panel version) and Millenium console remote control interface
DB-15 to

