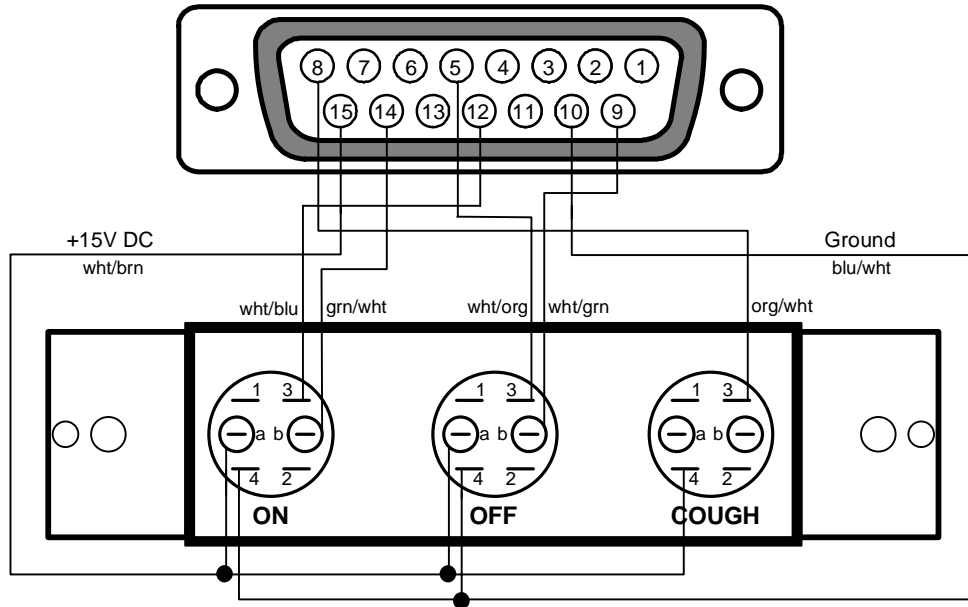


# Radio Systems Millenium Remote Control Wiring For SH-3BUT or SH-3BUTRC (RJ-45 connectorized version) Mic On/Off/Cough (A input only shown)

RJ-45 PIN # (Color)	"D" PIN #	Function	Input/Output	Signal
1 (wht/org)	5	Channel Off Control - Input A	Input	Active when pulled to ground
2 (org/wht)	8	Cough	Input	DC
3 (wht/grn)	9	Off Lamp	Lamps	DC
4 (blu/wht)	10	Ground		Ground
5 (wht/blu)	12	Channel On Control - Input A	Input	Active when pulled to ground
6 (grn/wht)	14	On lamp	Lamps	DC
7 (wht/brn)	15	+15V DC	Power	DC

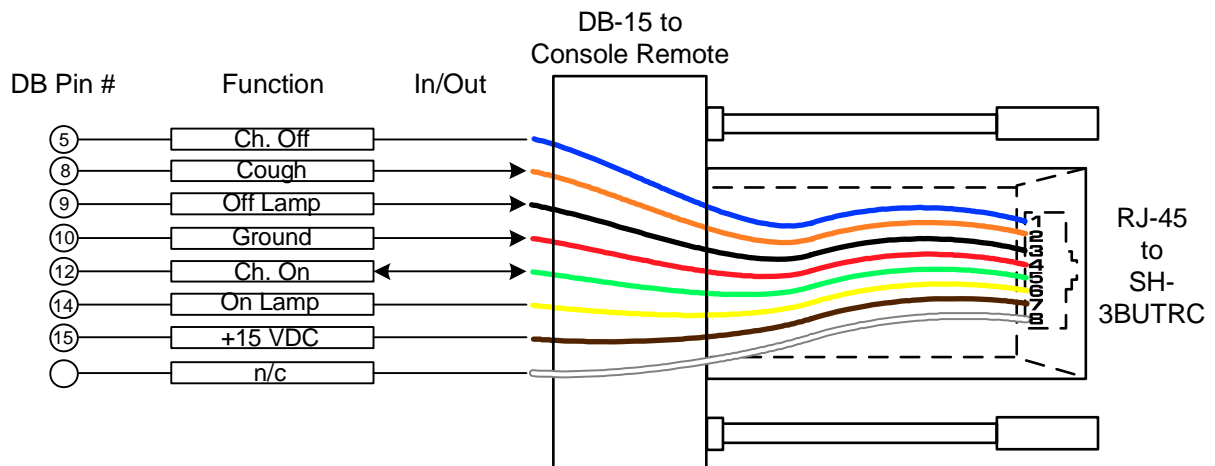


Pins	Contact
1-2	Normally Closed
3-4	Normally Open
A-B	Lamp

Model SH-3BUT 3 Push Button Plate Shown  
Also available – Model SH-3BUTRC with RJ-45 connector

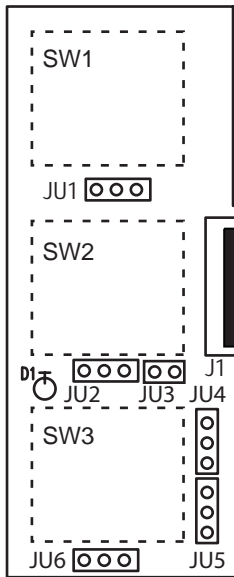
## RJ-45 Remote Adapter RS part# 14531

Use for CAT-5 / RJ-45 patch cord connectivity between SH-3BUTRC (RJ-45 push-button panel version) and Millenium console remote control interface

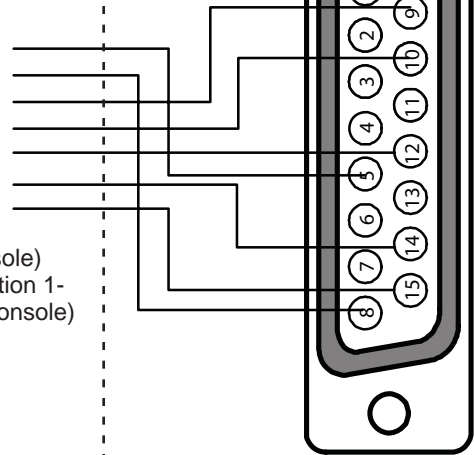


# RJ-45 Remote Control Adapter for Three Push Button Panel

RS part # SH-3BUTRC



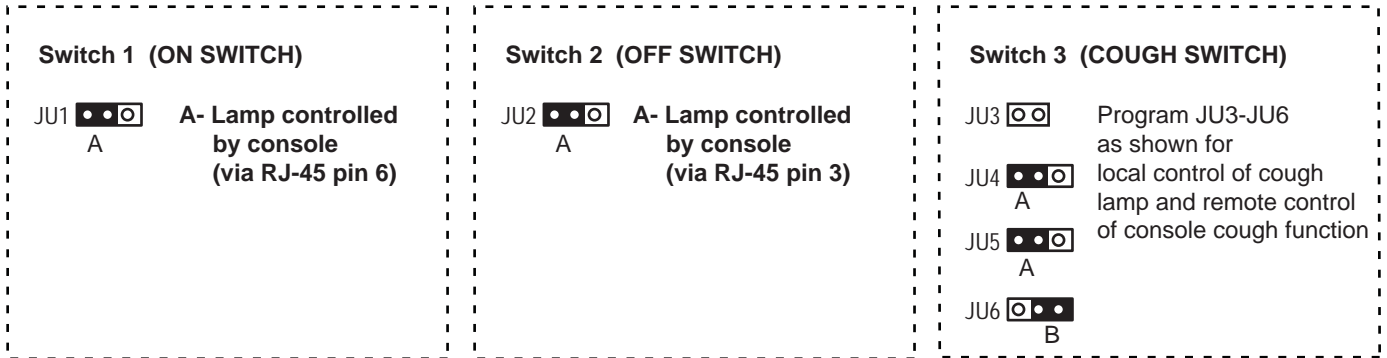
- 1 (wht/org) → Channel off control
- 2 (org/wht) → Cough control
- 3 (wht/grn) ← Off lamp status
- 4 (blu/wht) ← Ground
- 5 (wht/blu) → Channel on control
- 6 (grn/wht) ← On lamp status
- 7 (wht/brn) ← +15V DC
- 8 (brn/wht) ← Cough lamp status  
(no connection to console)  
(program for configuration 1-control via Millenium console)



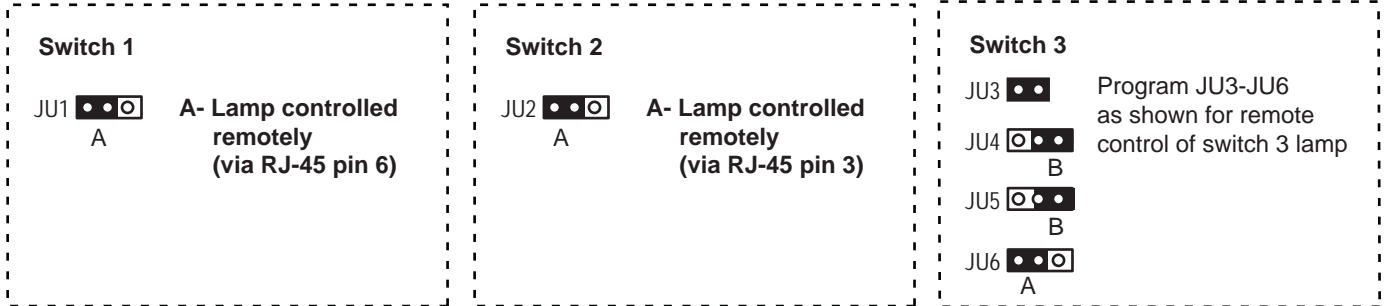
**Millenium DB15 Connector**  
Use remote control RJ-45 adapter RS part # 14531

**Note:**  
When not used with Millenium Consoles (configurations 2 & 3)  
RJ-45 pin 4 is switch common  
RJ-45 pin 7 is lamp common

## Configuration 1 - ON/OFF/COUGH Control via Millenium Console



## Configuration 2 - Three Button Control with Remotely Controlled Lamps



## Configuration 3 - Three Button Control with Locally Controlled Lamps

