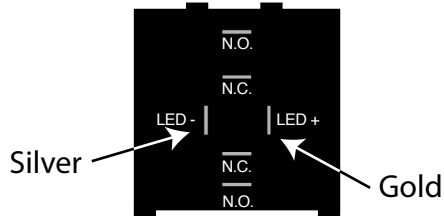


# StudioHub+ Push Button Plates 1/2/3 Button Types:

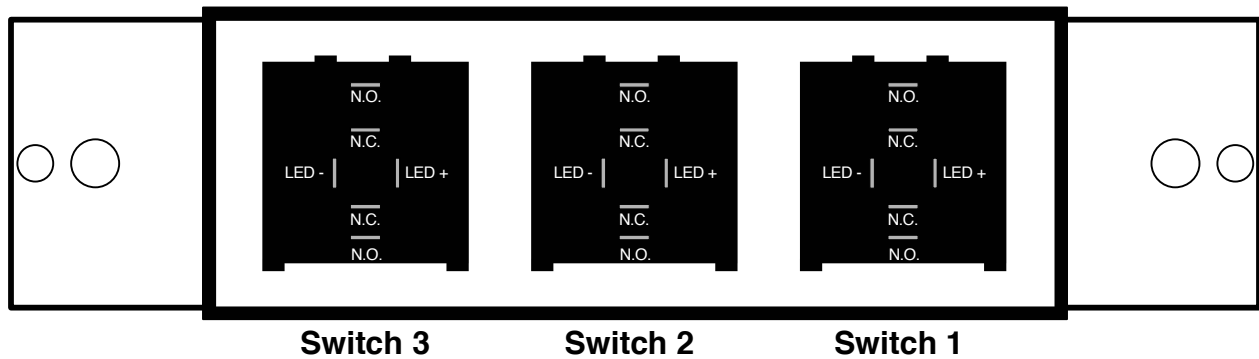
## SH-1BUT (12V & 5V) LED · SH-2BUT (12V & 5V) LED · SH-3BUT (12V & 5V) LED

### Pinout Guide

Viewed from Rear  
(Yuequing LED Lit DTSP Switch - Supplied Post 2016)



- Part #19145 DTSP SWITCH - RED MOMENTARY 5V LED
- Part #19146 DTSP SWITCH - WHITE MOMENTARY 5V LED
- Part #19147 DTSP SWITCH - AMBER MOMENTARY 5V LED
- Part #19119 DTSP SWITCH - RED MOMENTARY 12V LED
- Part #19120 DTSP SWITCH - WHITE MOMENTARY 12V LED
- Part #19121 DTSP SWITCH - AMBER MOMENTARY 12V LED



Switch contacts are rated at 2 amps.  
Lamps are LED type and available in 5 and 12V.  
Lamps are not replaceable.  
LEDs are universal polarity in 12V models only.  
LED commons are anode lead (+) in 5V models.

for pre 2016 IDEC and E-Switch configurations  
see [www.studiohub.com/legacy.php](http://www.studiohub.com/legacy.php)

Note - Switch hole size is .630"  
(approx. 11/16" bit)