

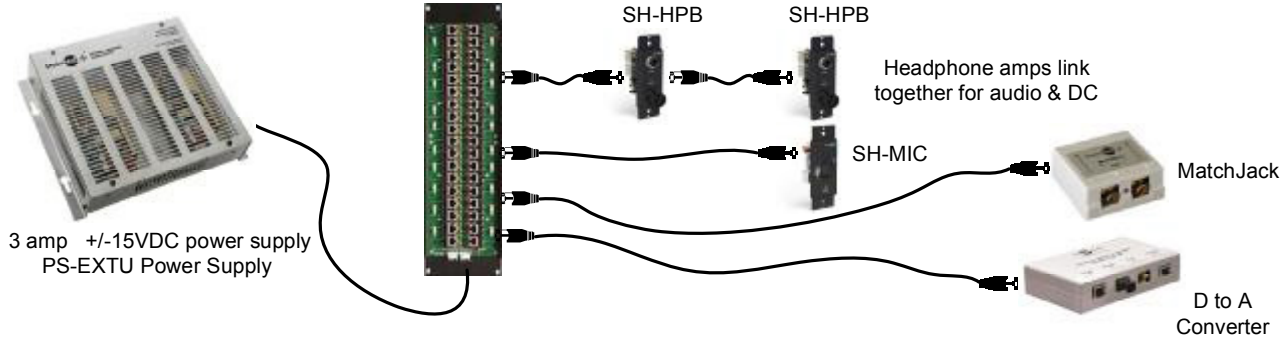
How to Power StudioHub+

Many StudioHub+ devices are active and are powered by +/- 15vDC. Power can be supplied via the StudioHub+ "DC-Link" system that uses CAT-5 pair #4 (White/Brown) for power, or power can be supplied via a separate "wall-wart" or desk-top power supply.

See Current Consumption chart to determine how many devices can be powered with different systems.

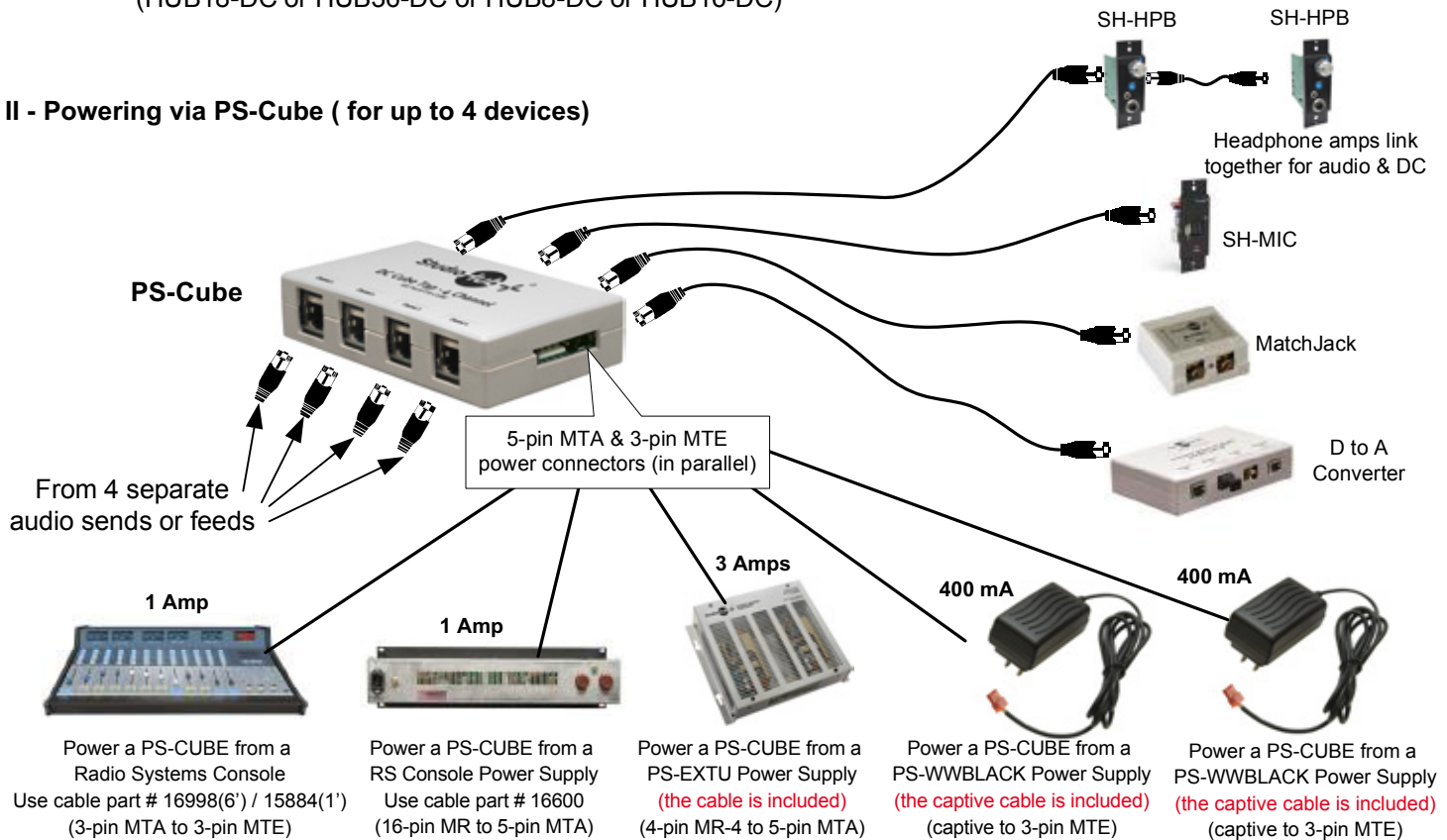
NOTE – As of September, 2010 - all power supplies shown are Universal Voltage Switching Supplies and accept from 90 to 250VAC input.

I- Powering via Hub (for up to 16 devices)



Use any Hub in which the model number ends in "DC"
(HUB18-DC or HUB36-DC or HUB8-DC or HUB16-DC)

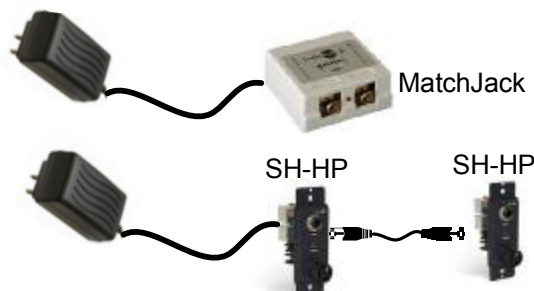
II - Powering via PS-Cube (for up to 4 devices)



III- Powering via "Wall Wart" or Desk-Top Power Supply

NOTE- all power supplies shown are Universal Voltage switching supplies and accept from 100 to 240VAC input power.

Power an individual or multiple MatchJack or Panel from a PS-WWWhite Power Supply
(the captive 3-pin to MTA cables included)



NOTE- If removeable IEC power cord is required, order Part # PS-WWEXPORT

Headphone amps link together for audio & DC.
Power up to 5 headphone amps from one PS-WWBLACK.