

NOTE

All red part numbers indicate customer specified cable lengths. Substitute from 010' to 250' in place of stock length shown to order a custom length.

StudioHub+ Solutions for Harris / PR&E VistaMax Platform

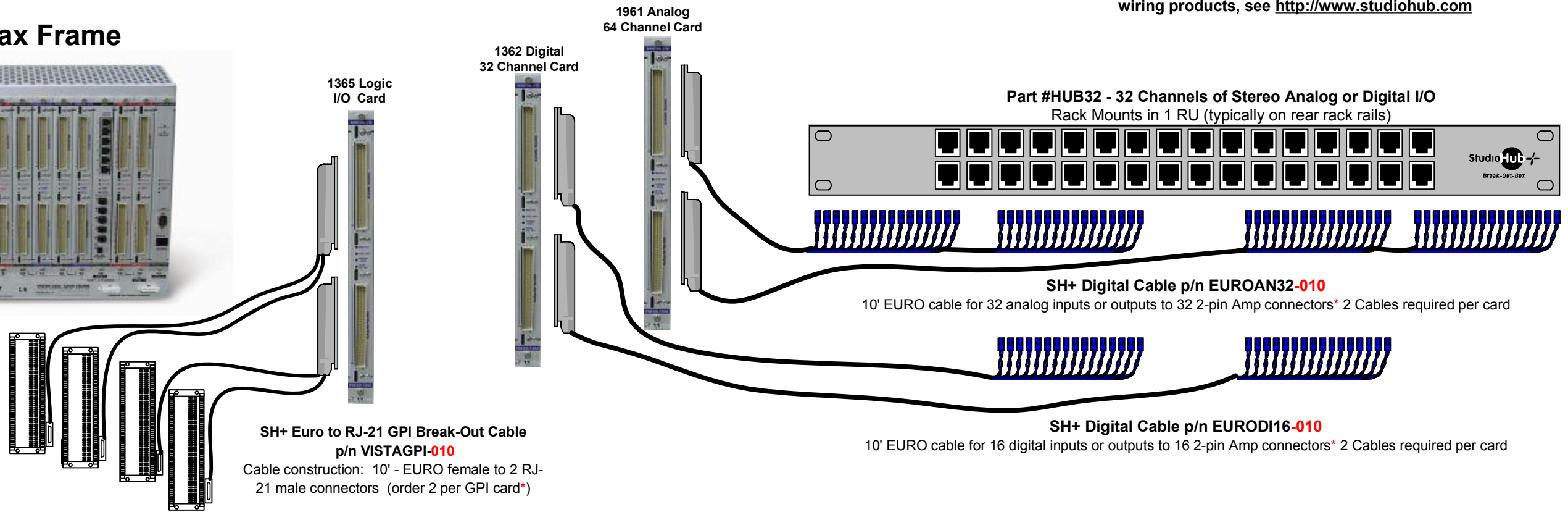
This page features the Studio-Hub+ items custom made for VistaMax as well as the most popular StudioHub+ solutions for all your studio wiring. For the complete line of StudioHub+ solutions with hundreds of other wiring products, see <http://www.studiohub.com>

RACK ROOM

VistaMax Frame



SH+ 66B Punch Blocks
w/ integrated RJ-21 (female) connector p/n 11616
Also available - w/ 2 integrated RJ-21(female) connectors p/n 15811



STUDIO

BMX or RMX (pictured) Control Surface



SH+ Analog Cable p/n MOD6RJ45-010
10' MOD-IV (6 pin) cable for 1 analog stereo input or output to 1 RJ-45 connector.
(1 cable required per console digital I/O*)

SH+ Digital Cable p/n MOD3RJ45-010
10' MOD-IV (3 pin) cable for 1 digital input or output to 1 RJ-45 connector.
(1 cable required per console digital I/O*)

SH+ Analog Cable p/n MOD6MTE-010
10' MOD-IV (6 pin) cable for 1 analog stereo input or output to 2 mini-Amp connectors.
(1 cable required per console analog I/O*)

SH+ Digital Cable p/n MOD3MTE-010
10' MOD-IV (3 pin) cable for 1 digital input or output to 1 mini-Amp connectors.
(1 cable required per console digital I/O*)

