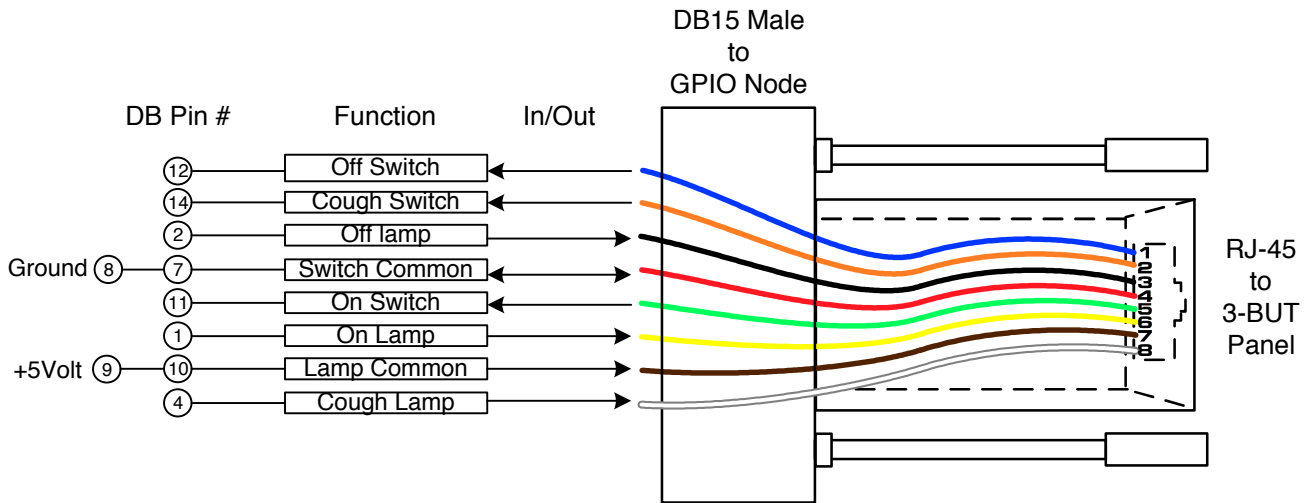
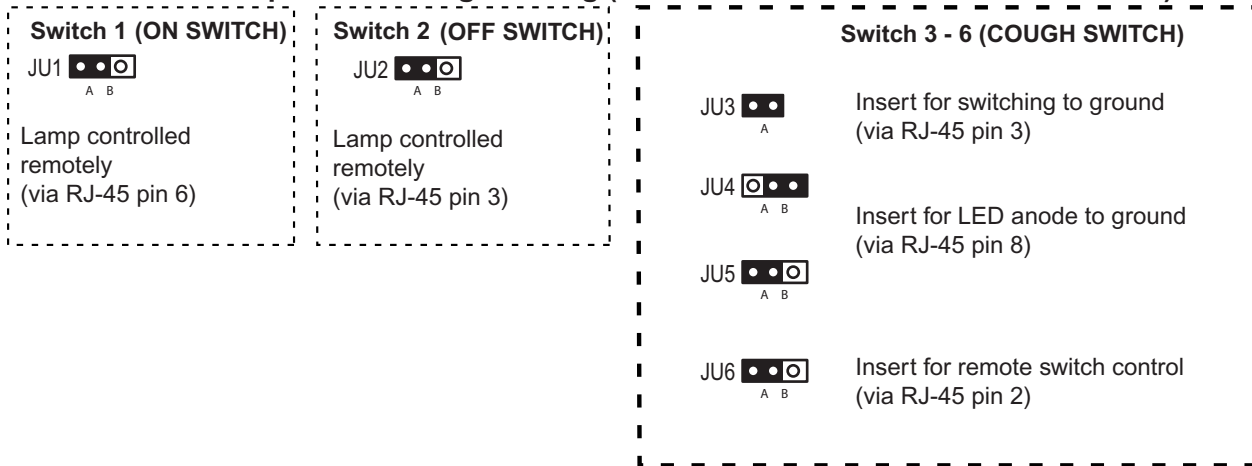


Remote Control "D" to RJ-45 Adapter - P/N 17046

Axia GPIO Node Adapter for StudioHub+ ON/OFF/COUGH Panels

ON/OFF/COUGH Panel- P/N SH-3BUTRJ5V (equip with 5volt lamps)

SH-3BUTRJ5V Required Pin Programming (note: 5 volt LED model must be utilized)



StudioHub+ Axia DB-15 to RJ-45 Adapter Part# 17046

Complete Axia GPIO Node Remote Control Functions

DB Pin #	RJ-45 Pin #	Function	Axia Function		
			Line Profile	Mic Profile	C/R Profile
1	6	Out 1	On Lamp	On Lamp	C/R On Air Lamp
2	3	Out 2		Off Lamp	
3		Out 3			
4	8	Out 4	Start Pulse	Cough Lamp	Dump Enabled
5		Out 5	Stop Pulse	Not Used	Talk to C/R Lamp
6		N/C			
7	4	Out Common Return	Source Common	Source Common	Source Common
8		Ground	Logic Common	Logic Common	Logic Common
9	7	+5V Power Source			
10		In Common +			
11	5	In 1	On Command	On Command	Mute C/R Command
12	1	In 2	Off Command	Off Command	DIM C/R Command
13		In 3			
14	2	In 4		Mute Command	
15		In 5	Ready Lamp	Not Used	Not Used