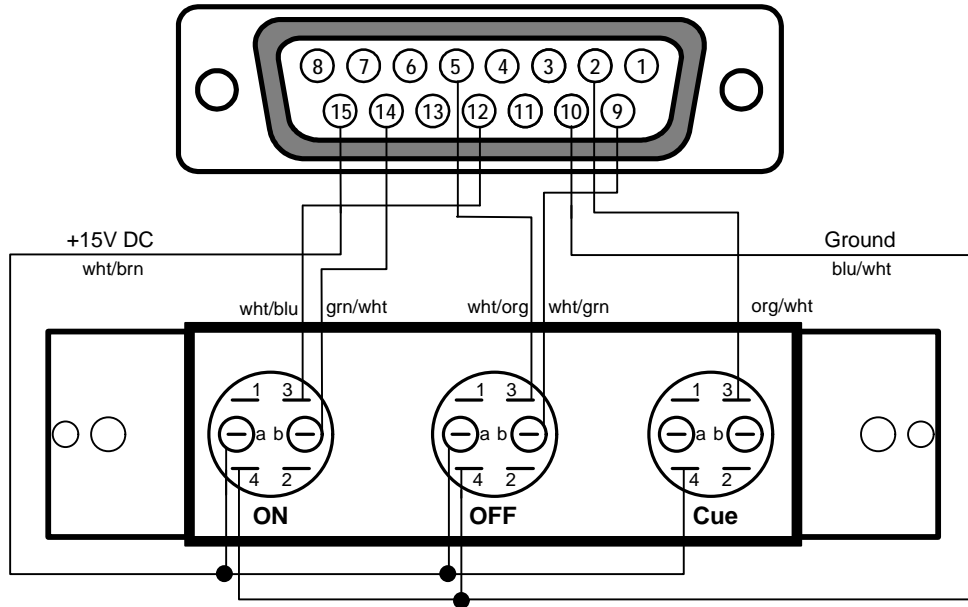


Radio Systems Millenium Remote Control Wiring For SH-3BUT or SH-3BUTRJ (RJ-45 connectorized version) Mic On/Off/Cue (A input only shown)

RJ-45 PIN # (Color)	"D" PIN #	Function	Input/Output	Signal
1 (wht/org)	5	Channel Off Control - Input A	Input	Active when pulled to ground
2 (org/wht)	2	Cue (Intercom)	Input	DC
3 (wht/grn)	9	Off Lamp	Lamps	DC
4 (blu/wht)	10	Ground		Ground
5 (wht/blu)	12	Channel On Control - Input A	Input	Active when pulled to ground
6 (grn/wht)	14	On lamp	Lamps	DC
7 (wht/brn)	15	+15V DC	Power	DC



Pins	Contact
1-2	Normally Closed
3-4	Normally Open
A-B	Lamp

Model SH-3BUT 3 Push Button Plate Shown
Also available – Model SH-3BUTRJ with RJ-45 connector

RJ-45 Remote Adapter RS part# 18402

Use for CAT-5 / RJ-45 patch cord connectivity between SH-3BUTRJ (RJ-45 push-button 15volt LED version)
and Millenium console remote control interface

